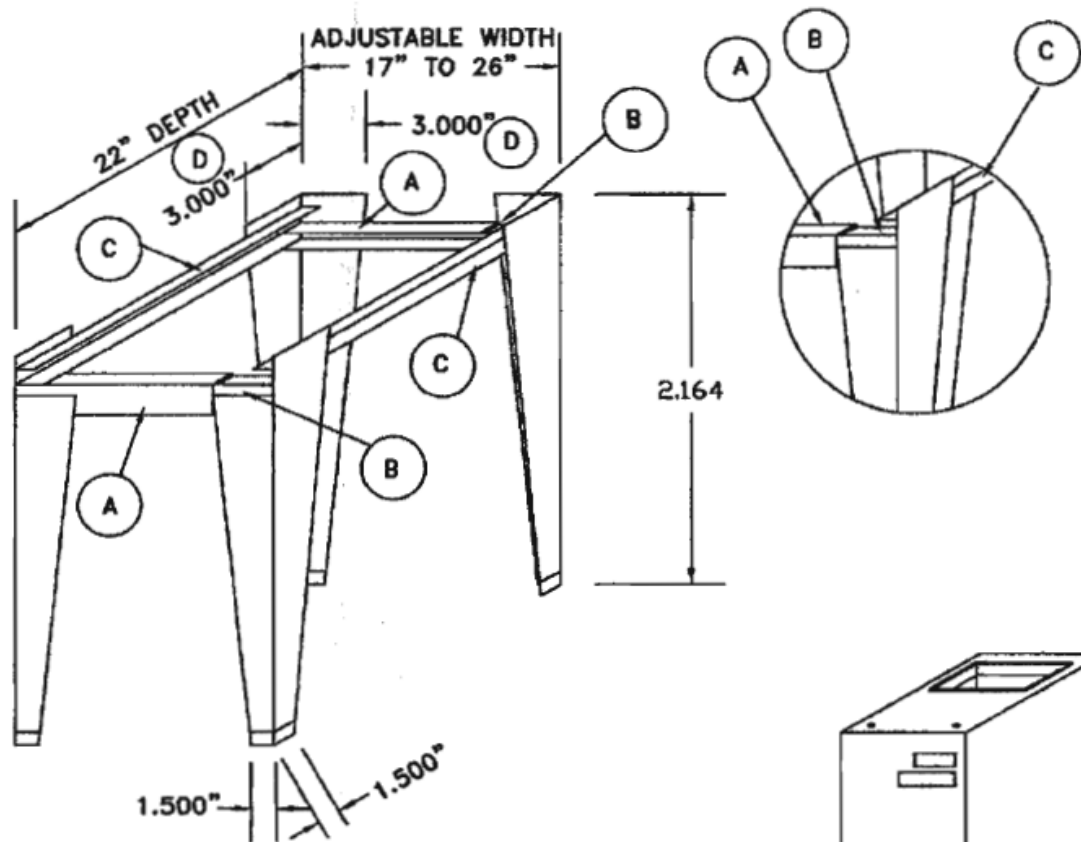


METALLUM ENTERPRISES

MANUFACTURERS OF AIR CONDITIONING GRILLES

7500 NW 68th Street
Miami, FL 33166

MODEL: M.A.H.S.



- MATERIAL: 16 GAUGE STEEL**
A: 1.750" X 1.750" ANGLE
B: 1.500" X 1.500" ANGLE
C: FILTER RACK
D: TOP LEG DIMENSION (WIDTH 3" X 3")
SPECIAL SIZES AVAILABLE
STANDS HOLD UP TO 500 POUNDS

